



INFRATOP
SOFFIT SYSTEM

VOX

FREEDOM BEGINS AT HOME

At VOX, we believe that true freedom starts at home and the place we live in makes a huge impact on our lives. That is why our goal is to continuously develop and deliver comprehensive solutions – from matching collections of wall systems, furniture, doors and floors, to the highest quality facade cladding and soffit.

The focus of the VOX brand is on people, their needs and values, and that is why we create our products and services using knowledge from various humanities. Thanks to cooperation with psychologists, sociologists or anthropologists, we design solutions that support our customers in creating their own space, and our products meet customer's expectations and changing needs.

The Infratop soffit system was also developed in this way. We took care of its every detail. Infratop is a patented, innovative VOX solution, introducing a new quality of roof and house finishing.





YOUR HOME'S EXCELLENT FINISH

The Infratop soffit system is a practical roof finishing method because it is easy to use in everyday life. It was designed both with functionality and aesthetics in mind. Thanks to the click system and increased panel rigidity, its installation is easy, fast and reliable. The product is durable and resistant to changing weather conditions. The semi-matt panel surface and structure perfectly imitates wood graining and the ideally selected colours allow you to adapt it to the most commonly used elements of wood joinery. Thanks to the use of perforation, we also took care of the proper roof ventilation and protection.

VOX soffit is a convenient and economical alternative to wooden and metal soffits currently in use.





24

THE PERFECT FINISH

A dream home deserves to have every detail perfectly touched up.

VOX soffit provides the perfect finish to your house. It is practical because it does not require any maintenance. Not only does it hide any imperfections, but also perfectly matches other finishing elements.



ON YOUR FAVOURITE TERRACE

Morning coffee on the terrace with your favourite book or in your favourite company?

Many of us value these moments at home the most. Regardless of the weather, our products guarantee you comfort while resting in the fresh air.

IN A COSY ATMOSPHERE

Appropriate light selection can make the atmosphere of a place different, better. The surroundings of the house acquire a better look.

VOX soffit offers you the opportunity to install lighting that is perfect for you. A nice evening on the terrace? Yes, indeed!



THE HIGHEST QUALITY

In order to provide the best practical solutions for your home, you choose the best quality products, that can be used for many years.

At VOX, we offer you a soffit with a 30-year warranty. It is resistant to changing weather conditions and biological corrosion. Moreover, one of its characteristics is high-quality printing.

INFRATOP. KEY ADVANTAGES



NATURAL WOOD
REFLECTION



NO MAINTENANCE
REQUIRED



QUICK AND EASY
INSTALLATION



CLICK
SYSTEM



RESISTANCE TO CHANGING
WEATHER CONDITIONS



30-YEAR
GUARANTEE



INFRATOP. INVEST IN FUTURE

— COMFORT AND CONVENIENCE

Quick, intuitive installation, easy to clean, resistant to weather conditions and biological corrosion – thanks to these features, you can comfortably and effortlessly enjoy your home's beautiful finish for many years.

— REASONABLE CHOICE

Not only does it save you time and money, as it does not require any maintenance, but it also results in lower operating costs. It acts as additional roof insulation which prolongs the life of roof structure elements.

— AESTHETIC DESIGN

The panels have the texture of natural wood, so they can be easily adapted to the wood joinery of your house. In addition, Infratop will allow you to install lighting that will hide cabling and structural elements of the roof.

— INNOVATIVE SOLUTIONS

VOX soffit panels offer hidden ventilation, just one of the innovative and patented solutions offered by VOX. We are constantly working on improving our technologies. That is why when we produced new colours from our Nature collection, we used Termodruk 2, a modern and precise printing technology. Thanks to this, wood-like decors are more similar to natural wood because they have a more interesting and diverse pattern.



VENTILLATION. GUARANTEE OF MANY YEARS OF USE

— AIR CIRCULATION

A typical feature of the Infratop soffit are its perforated openings which ensure adequate ventilation, allowing proper moisture removal and air circulation.

— TOP LEVEL PROTECTION

Thanks to the construction with ventilation openings, the soffit protects the roof against moisture, fungi and mould. Additionally, the shape of the perforation holes provide protection against insects such as wasps, bumblebees and hornets.

— TWO SYSTEMS OF INFRATOP SOFFIT

VOX offers two types of soffits. The first one is a soffit with visible perforation on the SV(P)-07 panel, installed in combination with the unperforated SV(P)-08 panel. The second type is the SV(P/PU)-09 soffit with hidden ventilation. Only one type of panel is needed to install it. It is a convenient solution which significantly shortens installation time. Both perforation systems guarantee the best quality and many years of use.



HIDDEN ADVANTAGE

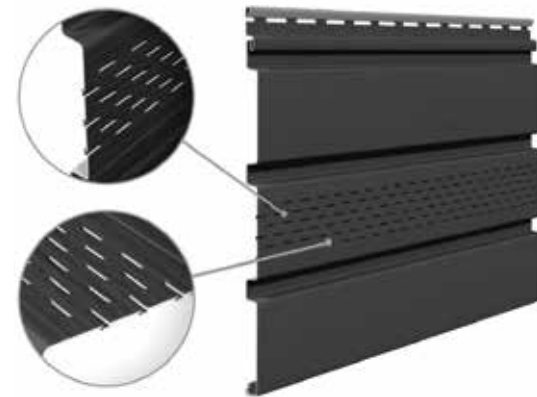


Type SV(P/PU)-09

A patented solution. It is the recess of the panel that is perforated, which produces a better aesthetic result while still ensuring appropriate ventilation of the roof slope.



WELL THOUGHT-OUT DESIGN



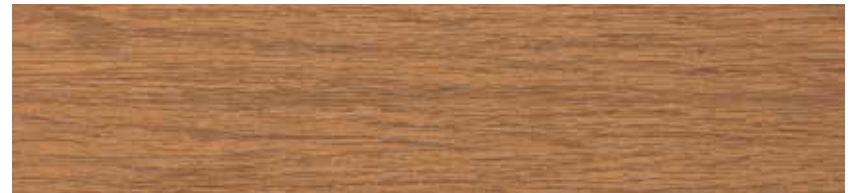
Type SV(P)-07

A soffit with visible perforation on the panel, enabling proper roof ventilation.



NATURE COLLECTION

NEW



Winchester Oak



Golden Oak



Walnut

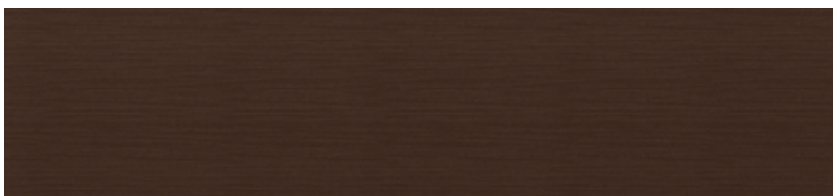
Panels from the Nature collection are made using thermal printing technology. Thanks to this technique, our panels are highly resistant to mechanical damage and sunlight. They look like natural wood. The latest colour, Winchester Oak, was made using Termodruk 2, a thermal printing technology. Because of that, the wood pattern on the soffit is even more diverse and interesting, without a repetitive effect.

* All colors shown in this publication are only sample colors and should not be considered as original ones.

UNICOLOR COLLECTION



White



Brown



Graphite

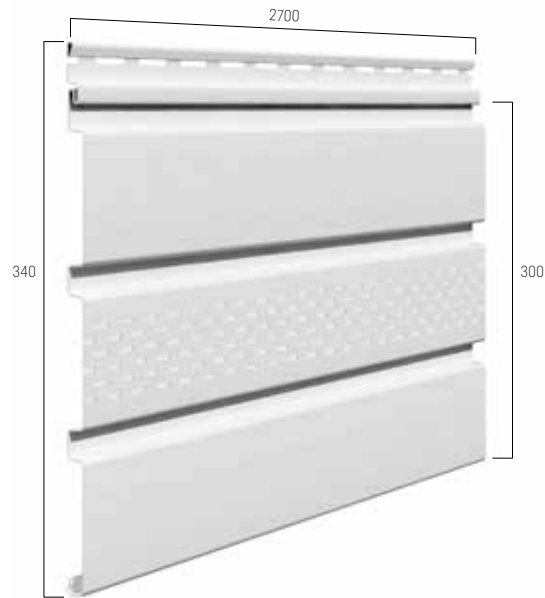
* All colors shown in this publication are only sample colors and should not be considered as original ones.



PANELS AND FINISHING PROFILES

SV(P)-07

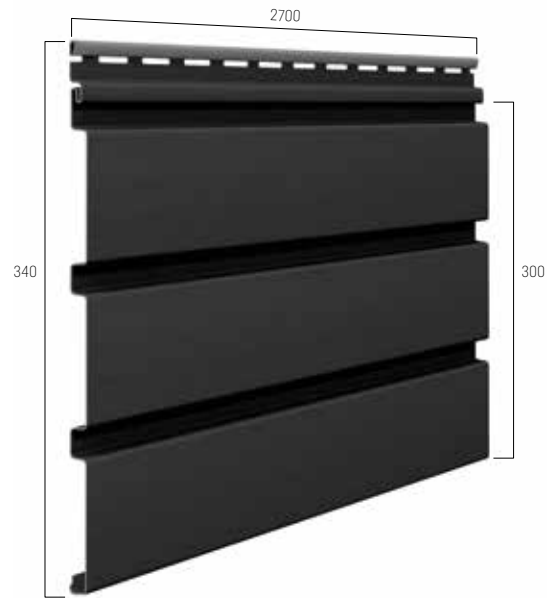
Panel with visible perforation



* Mounted with SV(P)-08

SV(P)-08

Panel without perforation



* Mounted with SV(P)-07

SV(P/PU)-09

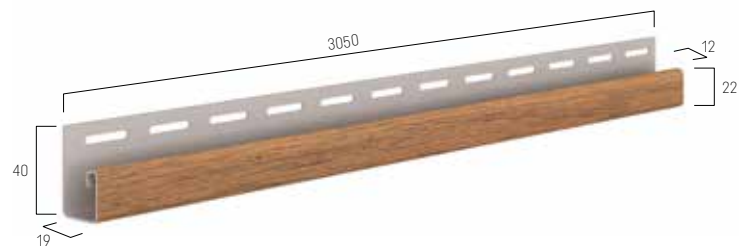
Panel with hidden perforation



* Self-assembled

SV(P/PU)-15

J profile

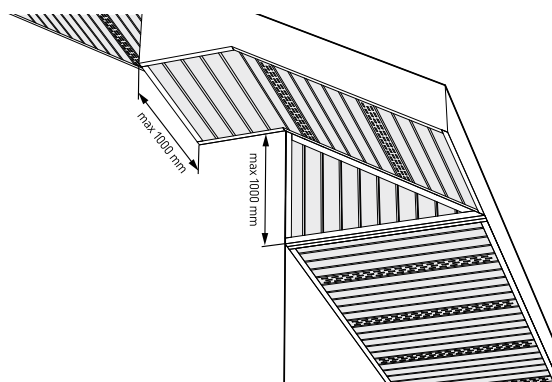
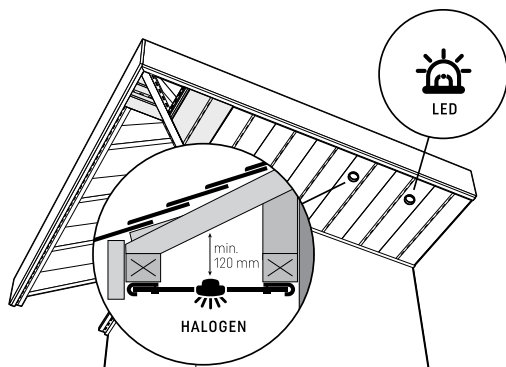
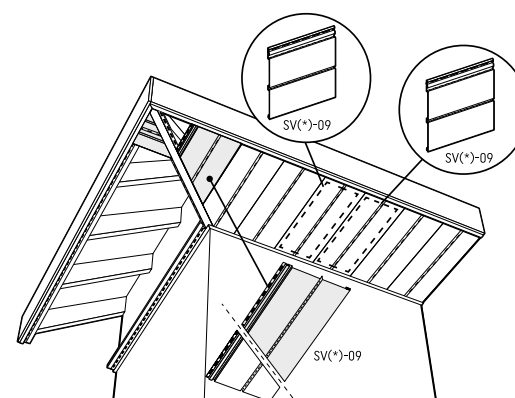
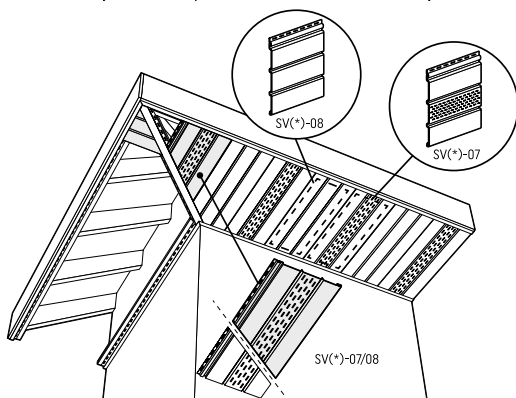
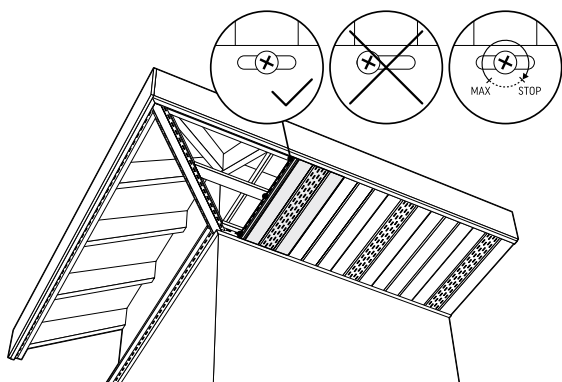
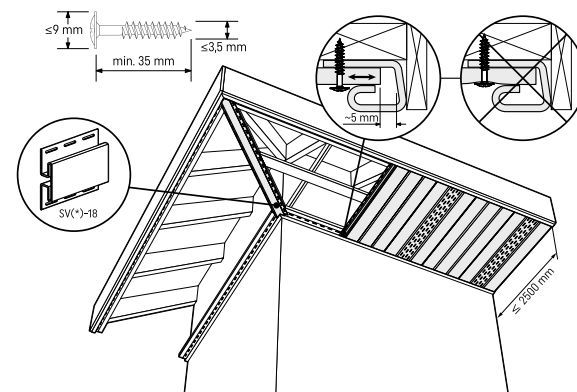
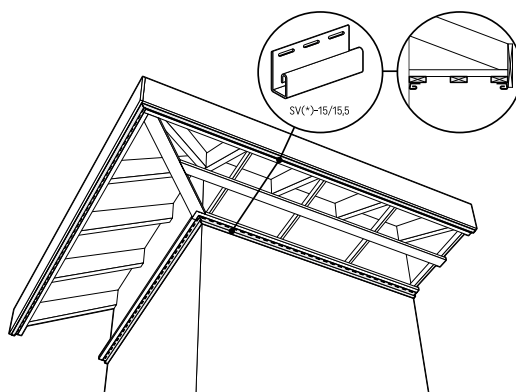
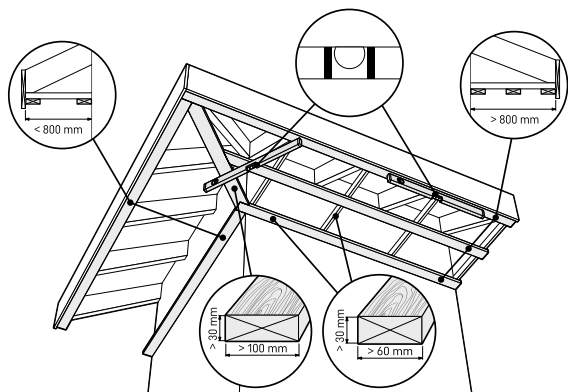


SV(P/PU)-18

Connector



ASSEMBLY INSTRUCTIONS



SV(*)=SV(P/PU)



vox.pl



909029500#23900#



V. 06.2020